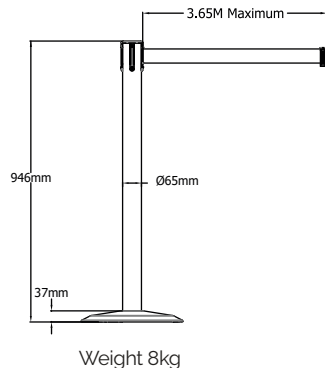
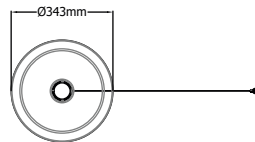
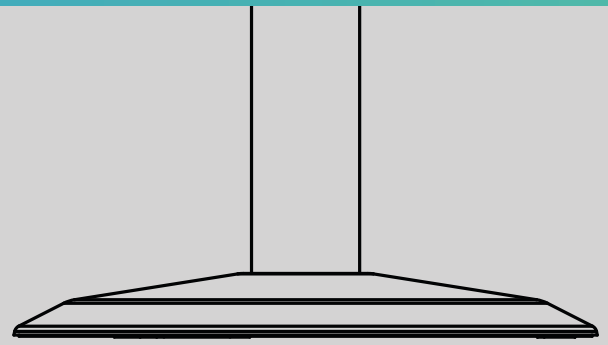


875 Popular Post

Practical and Economic. Features a hardwearing cast iron branded base, perfect for areas with high traffic levels. Ideal for tourist attractions, markets, back-of-house areas.



Features & Benefits

- The popular post features a lightweight plastic post that screw fixes into a tough cast iron base.
- The post and base can be quickly and easily dismantled for easy storage and transportation.
- This post is popular, as it is more economical than a metal Tensabarrier® post with all of the advanced safety features.
- Cost effective for long queuing environments and out of service areas.
- Safest barrier on the market – our cassettes have a unique braking system for slower webbing retraction.

Product Specification

- Plastic post available in 4 UV stable colours.
- Cast iron base comes in black, branded with Tensabarrier® logo.
- Shipped flat packed with no tools required.
- Available with any Tensator® standard (50mm) width webbing options.
- Modular webbing cassette – all cassettes come as standard with our four-point anti-tamper webbing connectivity. This allows you to connect other Tensabarrier® products to the receiver splines on the cassette head.
- Comes as standard with anti-tamper tape end.
- Compatible with all Tensabarrier® accessories including our range of post top signage.
- Available to buy in a twin pack.

Applications

- Ideal for markets, theme parks, attractions and tourist environments.
- Use to guide public during events.
- Eliminate unsafe working conditions by clearly defining routes.
- Restrict access to dangerous areas.
- Indoor and outdoor use, but shouldn't be permanently placed outside.

Order Code

- 875-STD – Single Pack - Popular Post 2.3m
- 875-MAX – Single Pack - Popular Post 3.65m
- 875/2-STD – Twin Pack - Popular Post 2.3m
- 875/2-MAX – Twin Pack - Popular Post 3.65m

Product Configuration

Base Options



Cast Iron Base

Post Finishes



Four plastic finishes available

Webbing Options



Standard Webbing

50mm width

Webbing Lengths



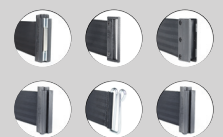
Two lengths available in 50mm width

Webbing Designs



Range of colours, designs and custom options

Tape End Options



Six tape end options available

MILTON KEYNES
+44 1908 684 600

NEW YORK
+1-800-441-0019

DUBAI
+971 4 2997 228

PARIS
+33 1 43 09 85 00

FRANKFURT
+49 69 3003 89 010

WROCLAW
+48 71 359 3800