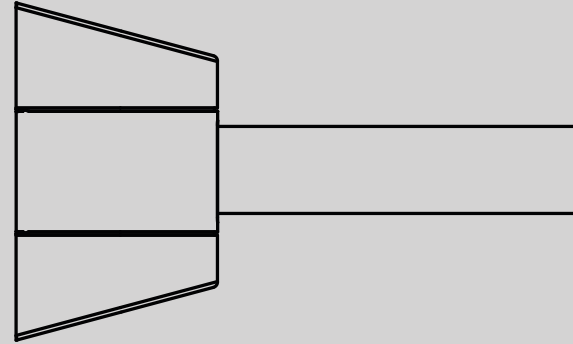


# 899 Maxi

## Wall Mounted Unit

Perfect for limiting access to areas without taking up floor space. Features 7.7m or 9m of retractable webbing. Ideal for a variety of applications.



### Features & Benefits

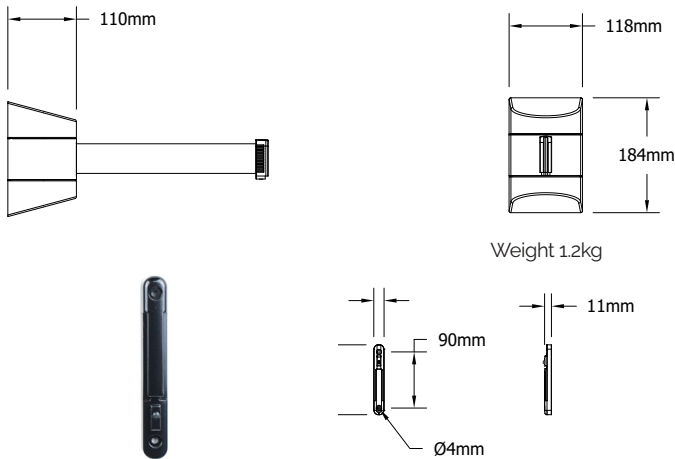
- The maxi wall unit features a TensabARRIER® cassette which is encased in a black hard wearing plastic body with coloured end caps - stainless steel option available.
- An internal steel frame provides added strength and durability whilst also protecting the components inside.
- The unit can be easily installed onto a variety of surfaces to suit different applications.
- Safest barrier on the market- our cassettes have a unique braking system for slower webbing retraction.

### Product Specification

- Plastic end caps available in 4 finishes or full stainless steel body.
- Six mounting options available depending on the application: standard, clamp, warehouse rack, removable, magnetic and glass mount.
- A variety of tape end options are available: standard anti-tamper, rubber, panic break, magnetic, one way loop, and wire clip.
- Available with any Tensator® standard (50mm) webbing options.
- Tools only required for mounting the unit to desired surface. Screws are not included as this is dependent on wall type.
- Each unit comes with corresponding wall receiver clip which allows the wall unit webbing to connect to - made from Zinc for its anti-corrosive properties.

### Applications

- Eliminate unsafe working conditions by clearly defining routes.
- Restrict access to dangerous areas.
- Limit pedestrian access to out of service areas.
- Use to identify hazards before they cause harm.
- Ideal for a variety of applications.



#### Order Code

- 899-7.7 - Maxi Wall Mounted Unit 7.7m
- 899-7.7-1P - Maxi Wall Mounted Unit 7.7m with Chrome Caps
- 899-7.7-3B - Maxi Wall Unit 7.7m with Brushed Stainless Steel Body
- 899-9 - Maxi Wall Mounted Unit 9m
- 899-9-1P - Maxi Wall Mounted Unit 9m with Chrome Caps
- 899-9-3B - Maxi Wall Unit 9m with Brushed Stainless Steel Body

#### Product Configuration

Fixing Options	Unit Finishes	Webbing Options	Webbing Lengths	Webbing Designs	Tape End Options
<p>Six options available</p>	<p>Five finishes available</p>	<p>Standard Webbing</p> <p>50mm width</p>	<p>Two lengths available</p>	<p>Full range of colours, designs and custom options</p>	<p>Six options available</p>

MILTON KEYNES  
+44 1908 684 600

NEW YORK  
+1-800-441-0019

DUBAI  
+971 4 2997 228

PARIS  
+33 1 43 09 85 00

FRANKFURT  
+49 69 3003 89 010

WROCLAW  
+48 71 359 3800