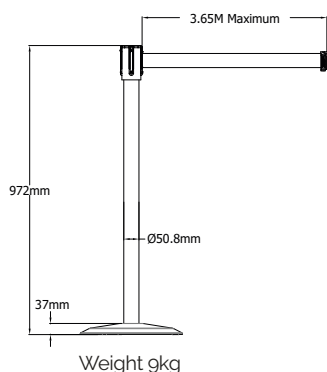
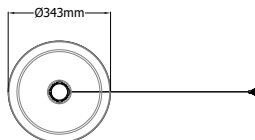
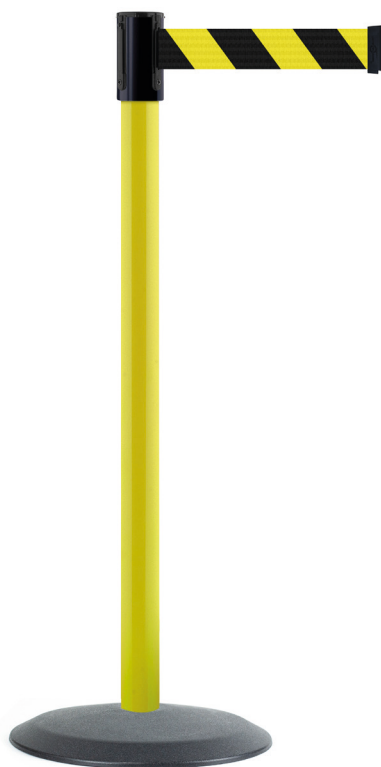
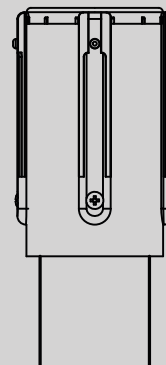


# 888 Safety Post

Strong and Slim design. Features the basics base, with anti-scuff base cover. Ideal for markets, warehouses, and high traffic areas.



## Features & Benefits

- The safety post features a high quality steel post with a hard wearing cast iron base which has a black plastic NoScuff™ ABS base cover.
- Steel construction combined with a slimline design make the safety post ideal for safety and security applications, where a combination of utility and style is required.
- Black cassette head contrasts with coloured post to ensure maximum post and barrier visibility.
- An economical barrier solution for high traffic areas.
- Safest barrier on the market – our cassettes have a unique braking system for slower webbing retraction.

## Product Specification

- Metal post available in powder coated colours: red or yellow.
- Available with any Tensator® standard (50mm) width webbing options.
- Modular webbing cassette – all cassettes come as standard with our four-point anti-tamper webbing connectivity. This allows you to connect other Tensabarrier® products to the receiver splines on the cassette head.
- Comes as standard with anti-tamper tape end.
- Compatible with all Tensabarrier® accessories including our range of post top signage and wall clips.

## Applications

- Eliminate unsafe working conditions by clearly defining routes.
- Restrict access to dangerous areas.
- Use to identify hazards before they cause harm.
- Ideal for warehouses, industrial and maintenance areas.

### Order Code

- 888B-STD – Safety Post with Basics Base 2.3m
- 888B-MAX – Safety Post with Basics Base 3.65m

### Product Configuration

#### Base Options



Basics Base

#### Post Finishes



Two powder coated colours available

#### Webbing Options



Standard Webbing

50mm width

#### Webbing Lengths



Two lengths available with 50mm width

#### Webbing Designs



Range of colours, designs and custom options

#### Tape End Options



Six tape end options available

MILTON KEYNES  
+44 1908 684 600

NEW YORK  
+1-800-441-0019

DUBAI  
+971 4 2997 228

PARIS  
+33 1 43 09 85 00

FRANKFURT  
+49 69 3003 89 010

WROCLAW  
+48 71 359 3800