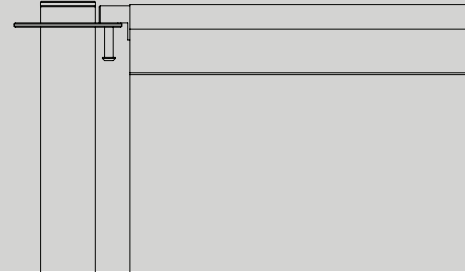
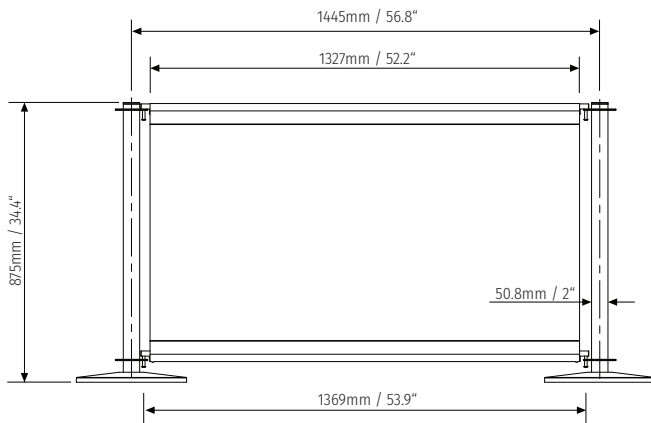


Stainless Steel Café Banner Solution

Tensator's Café Banner range is a portable solution that can be used for extending or creating indoor or outdoor spaces, easy to install, dismantle and store, the banner is a flexible and cost-effective way to create space with minimal disruption.



Tensator's Café Banners measure just under 1.5m from post centre to post centre (1330mm).



Full weight 36 kg / 80lbs
Posts weigh 17kg individually

Features & Benefits

- Stainless steel grade 304 as standard, with the opportunity to upgrade to a rust resistant grade of 316 which can be used outside even in areas subject to heavy weather conditions.
- Aluminium rail at the top and bottom, with a stainless steel connector fixing into a stainless steel ring.
- Option of surface fixed or free standing banner systems.
- Three options of banner materials; PVC, Mesh or Canvas.
- Selection of standard banner colours and single or double-sided digital dye prints.
- Customised banners to match your branding, with full colour print options and no cost limitations, banners can also easily be replaced as seasonal offers or messages change.
- Large banner design allows for saleable advertising space.
- Extends your trading area and can create an exterior smoking area.
- 1 year warranty.
- Cost effective, durable and hard wearing dye print that does not scratch or deteriorate.
- Quick and easy to install.
- Keep your customers "inside" your environment whilst seated outside of your establishment.
- In-house design team to assist you in the customisation of your banner.

Product Specification

- Available in three banner materials; PVC, Mesh or Canvas, with plain or digital dye-printed printed banner options, available in any Pantone colour at no extra cost. All banners have a standard 1 year warranty subject to exclusions for non wear and tear damage.
- The heavy weight PVC banner is available in either plain or with customised graphics. PVC banners are water resistant, hardwearing and wipe clean. With a durable high shine finish the PVC banners are well suited for indoor and outdoor use.
- Tensator's mesh banners are easy to handle yet ultra-strong, and designed to withstand the harshest weather conditions. The water resistant, wipe clean banners are suitable for use outside.
- The canvas banner is a premium durable banner option, making it a perfect solution for café environments.

Applications

- Indoor & outdoor events, exhibition halls, shopping centres, pubs, clubs & restaurants, museums, bars & cafés, hotels, leisure clubs, schools.

MILTON KEYNES
+44 1908 684 600

NEW YORK
+1-800-441-0019

DUBAI
+971 4 2997 228

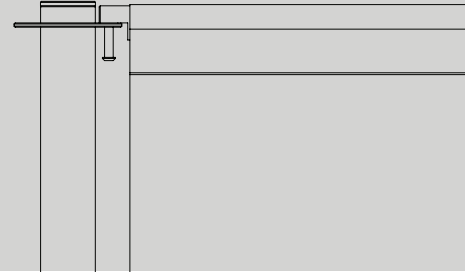
PARIS
+33 1 43 09 85 00

FRANKFURT
+49 69 3003 89 010

WROCLAW
+48 71 359 3800

Stainless Steel Café Banner Solution

Tensator's Café Banner range is a portable solution that can be used for extending or creating indoor or outdoor spaces, easy to install, dismantle and store, the banner is a flexible and cost-effective way to create space with minimal disruption.



How to configure Café Banners

Tensator's Café Banners measure just under 1.5m from post centre to post centre (1445mm).

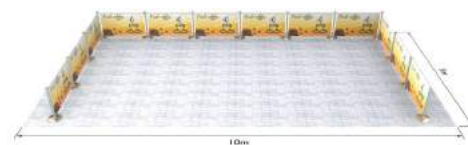
If you have an area that measures 10m x 10m, you will need 18 Banners.



This will include:

- 19 posts
- 36 rods
- 18 banners

If you have an area that measures 10m x 5m, you will need 12 Banners.



This will include:

- 13 posts
- 24 rods
- 12 banners

If you have an area that measures 5m x 5m, you will need 9 Banners.



This will include:

- 10 posts
- 18 rods
- 9 banners

Banner Materials

Available in three banner materials; PVC, Mesh or Insight Canvas, with plain or digital dye-printed printed banner options.

PVC

The heavy weight PVC banner is available in either plain or with customised graphics. PVC banners are water resistant, hardwearing and wipe clean. With a durable high shine finish the PVC banners are well suited for indoor and outdoor use.

No standard colour limitations, the PVC banner is available in any pantone colour at no extra cost.

MESH

Tensator's mesh banners are easy to handle yet ultra-strong, and designed to withstand the harshest weather conditions. The water resistant, wipe clean banners are suitable for use outside.

No standard colour limitations, the mesh banner is available in any pantone colour, at no extra cost.

INSIGHT CANVAS

The insight canvas banner is a premium durable banner option, it is hardwearing and machine washable, making it a perfect solution for café environments.

No standard colour limitations, the insight canvas banner is available in any pantone colour at no extra cost.

MILTON KEYNES
+44 1908 684 600

NEW YORK
+1-800-441-0019

DUBAI
+971 4 2997 228

PARIS
+33 1 43 09 85 00

FRANKFURT
+49 69 3003 89 010

WROCLAW
+48 71 359 3800