

TENSATOR®

Merchandising Bowl

The Merchandising Bowl is ideal for connecting on to the top of any standard Tensabarrier® or In-Queue Merchandising System. The Merchandising Bowl comes supplied with an adapter, which simply slips on, enabling the bowl to be permanently and securely fitted onto any Tensabarrier®.

Features

- Made from versatile, light weight but unbeatable polycarbonate plastic, ideal material for a long lasting merchandising fixture
- Heavy duty adapter improves strength and stability
- No tool required for assembly fixing
- Fits on top of any existing Tensabarrier® or In-Queue Merchandising System (backwards compatible)
- Optional Pricing or Promotional Strip

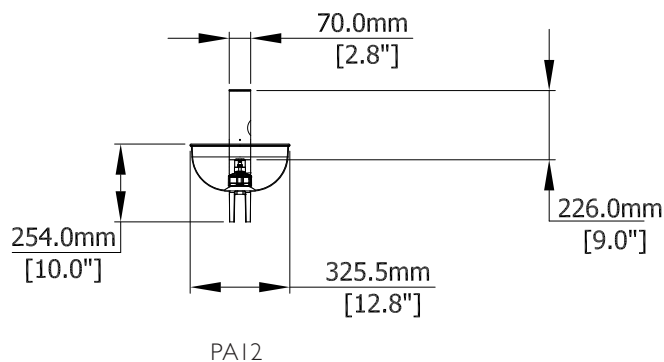
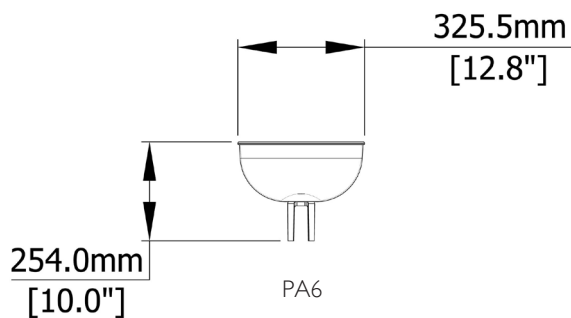
Benefits

- Encourages impulse purchases and generates revenue by adding additional retail space
- Showcases the products contained inside
- Quick and cost effective method of merchandising
- Capital investment repaid in days
- No need to bend to reach goods
- Products are out of reach of children
- Ideal material for a rugged long lasting merchandising fixture -unbeatable strength
- Has the capacity to hold 7.2 litres of stock, reducing re-stocks during the day



diameter	325.5mm	weight	1 kg
height	254mm		

Order Code: PA6 merchandising bowl
PA12 merchandising bowl with pos strip



MILTON KEYNES

+44 1908 684600

NEW YORK

+1 631 666 0300

DUBAI

+971 4 2997228

PARIS

+33 1 43 09 85 00

FRANKFURT

+49 69 3003 890-0

WROCLAW

+48 71 359 3800