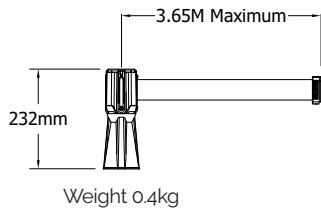
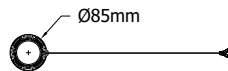
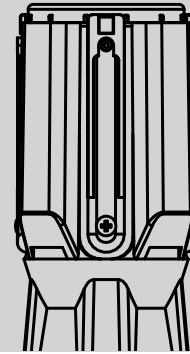
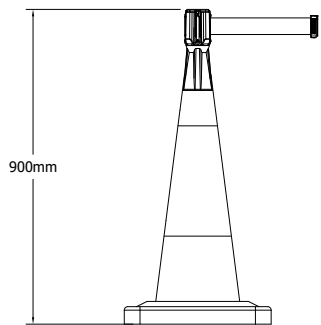


TC114 Tensacone Topper

Weather resistant. Create a temporary highly visible barrier in seconds – a more effective solution than road cones alone. Ideal for health and safety applications.



Weight 0.4kg



Order Code

TC114 – Tensacone Topper

Features & Benefits

- The Tensacone Topper features 3.65 meters of red chevron retractable webbing, encased in a durable orange plastic unit, which simply slots on top of a standard road cone.
- Transform a series of standard traffic road cones into an adaptable, cost effective temporary barrier system.
- Ideal for indoor and outdoor use, but shouldn't be permanently placed outside.
- Safest barrier on the market – our cassettes have a unique braking system for slower webbing retraction.

Product Specification

- Tensacone Topper available in highly visible UV stable orange colour.
- Toppers sold separately from road cones with no tools required.
- Minimum quantity of two units required to make a barrier.
- Available with Tensator® standard (50mm) red chevron, or NightView™ red chevron webbing for extra visibility.
- Modular webbing cassette – all cassettes come as standard with our four-point anti-tamper webbing connectivity.
- Comes as standard with an anti-tamper tape end, preventing accidental release of retractable webbing.
- Compatible with Tensacone® Sign Holder.

Applications

- Eliminate unsafe working conditions by clearly defining routes.
- Restrict access to dangerous areas.
- Use to identify hazards before they cause harm.
- Ideal for construction sites, maintenance, warehousing companies and highways agencies.
- Indoor and outdoor use.

Product Configuration

Topper Finishes



Available in orange

Webbing Options



Standard Webbing

50mm width

Webbing Lengths



50mm width

Webbing Designs



Standard red chevron or NightView™ red chevron

Tape End Options



Anti-tamper tape end available

MILTON KEYNES
+44 1908 684 600

NEW YORK
+1-800-441-0019

DUBAI
+971 4 2997 228

PARIS
+33 1 43 09 85 00

FRANKFURT
+49 69 3003 89 010

WROCLAW
+48 71 359 3800